
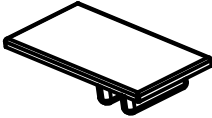
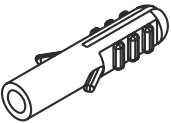


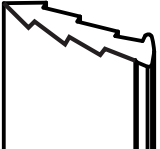
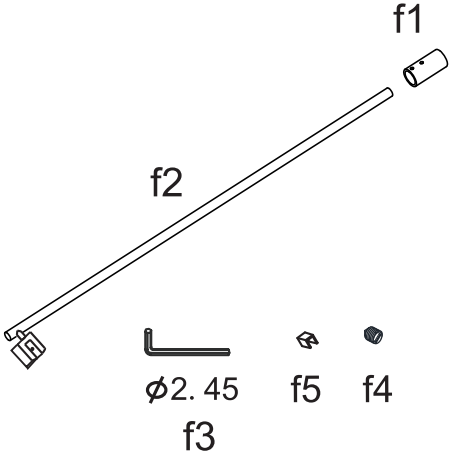
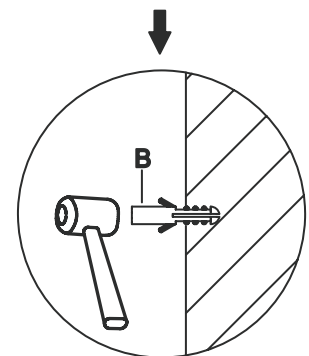
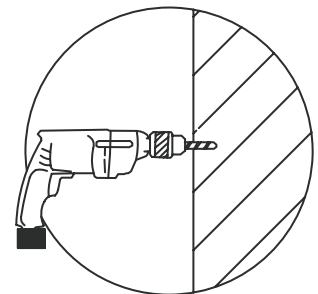
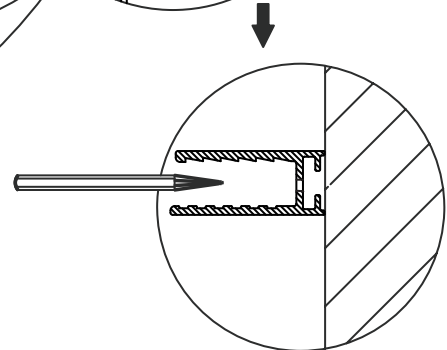
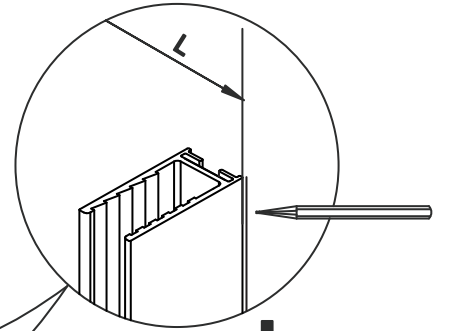
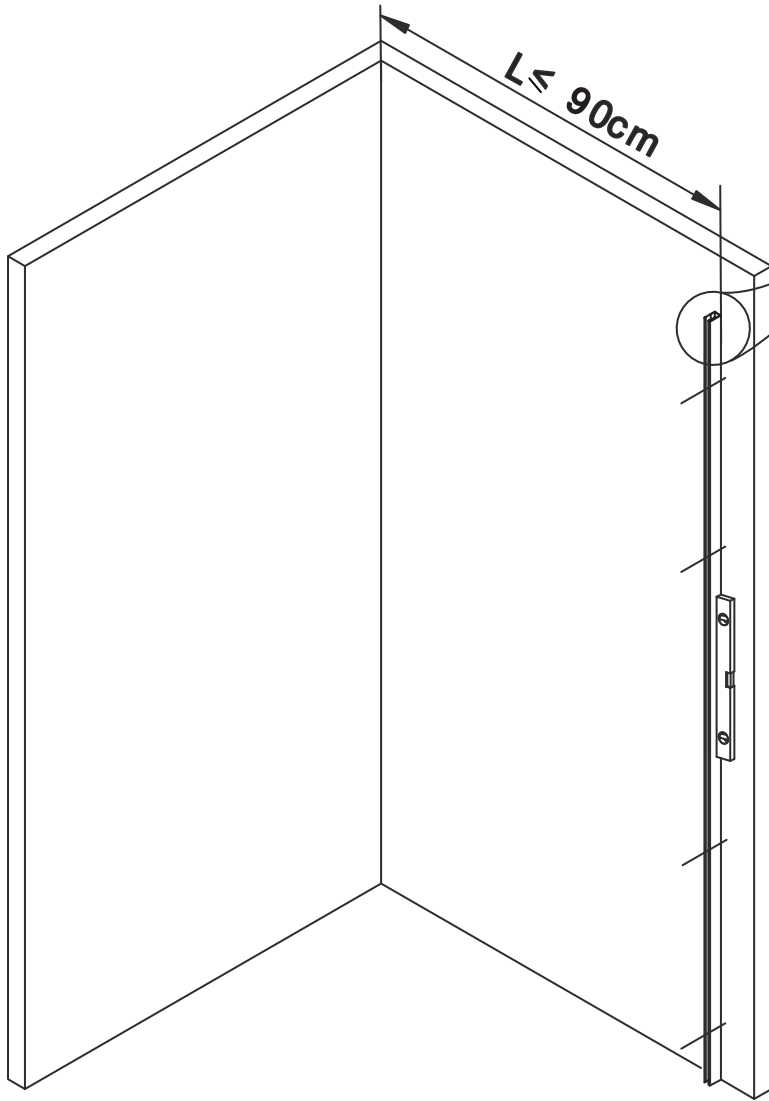
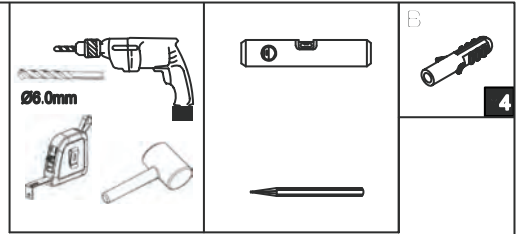
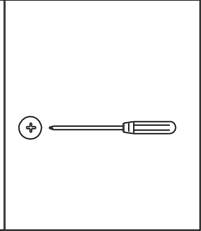
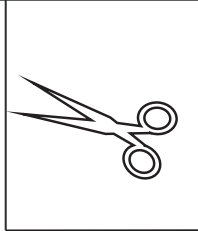


A	 ST4X35mm	x4	G		x1
B		x5	H		x1
C1	 ST4x30mm	x1			
C2		x1			
F x1	 <p> <math>\varnothing 2.45</math>    f5    f4            f3         </p>				

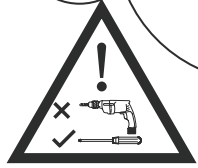
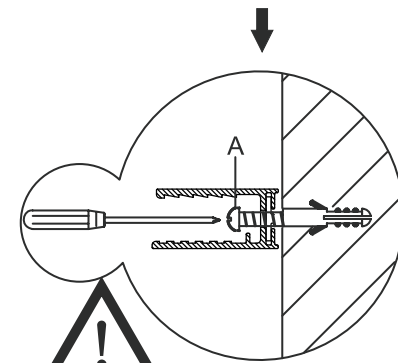
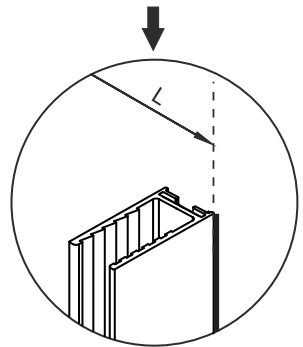
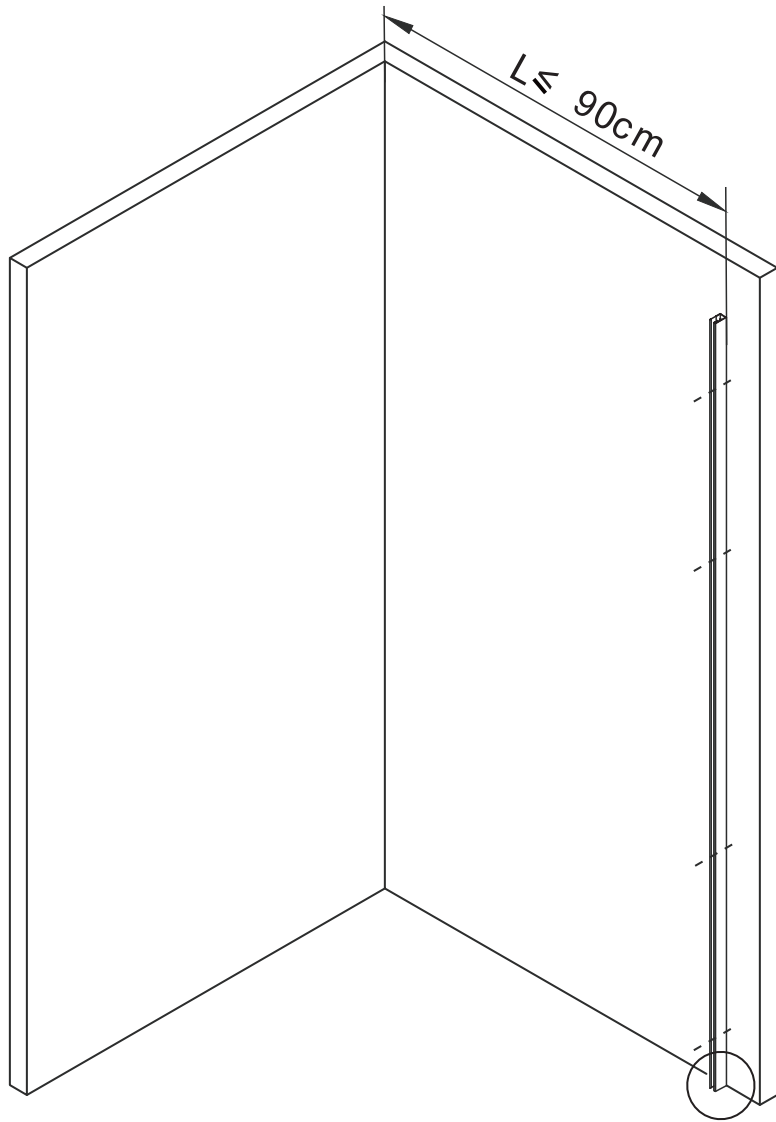
1

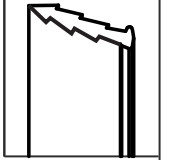


2

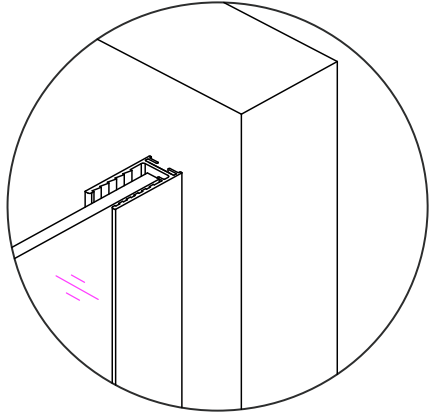
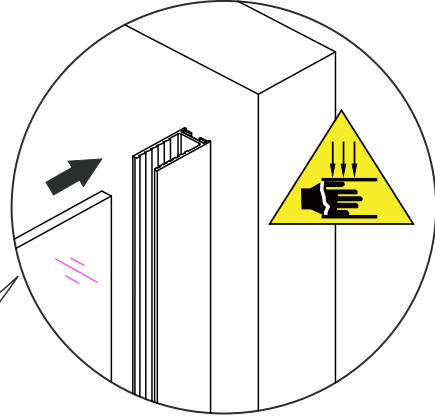
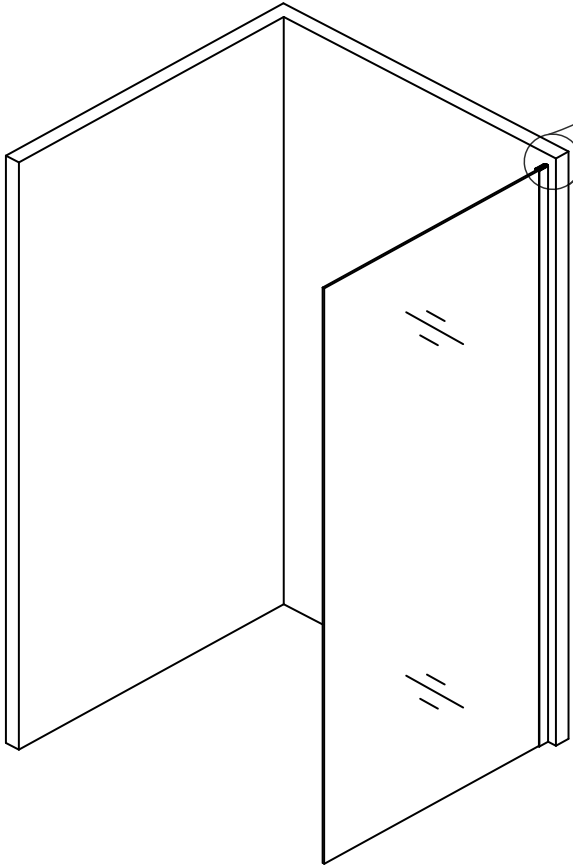


A  
ST4X35mm X4

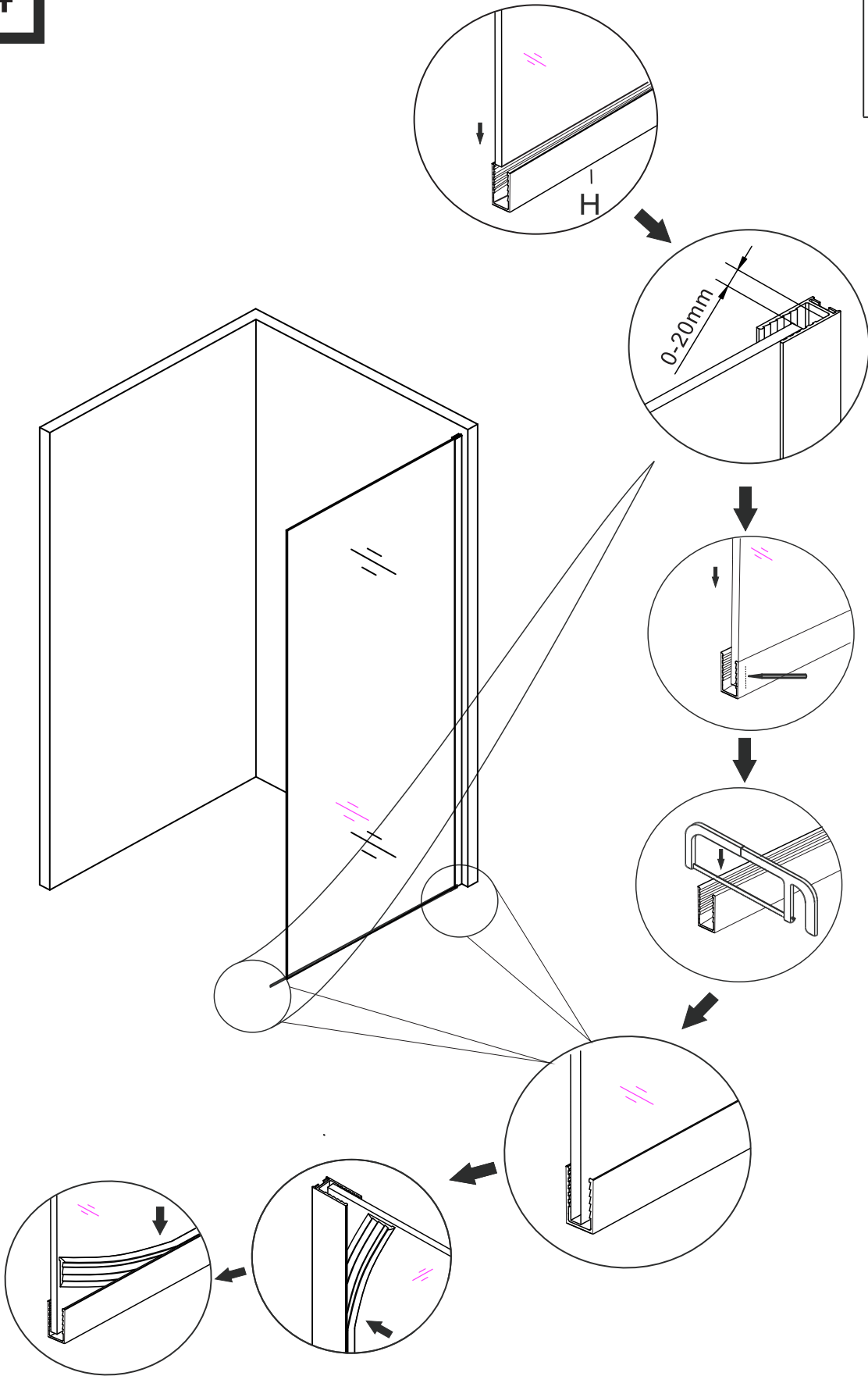
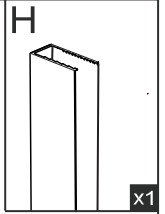




3



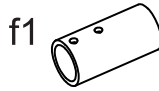
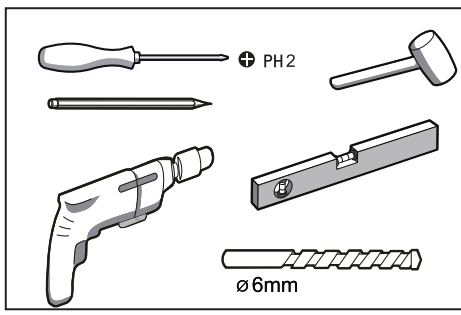
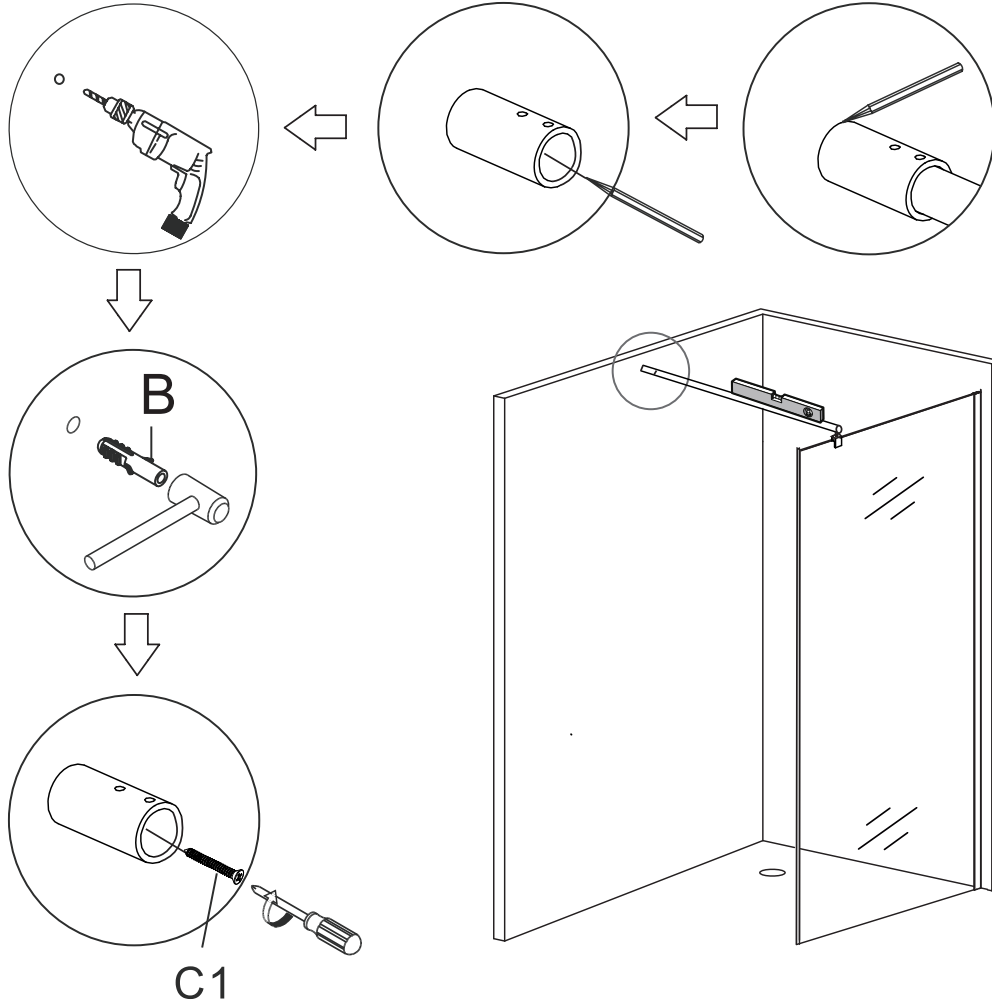
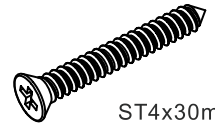
4



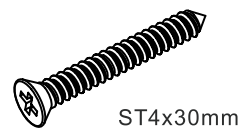
5

C1

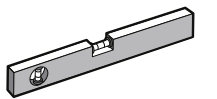
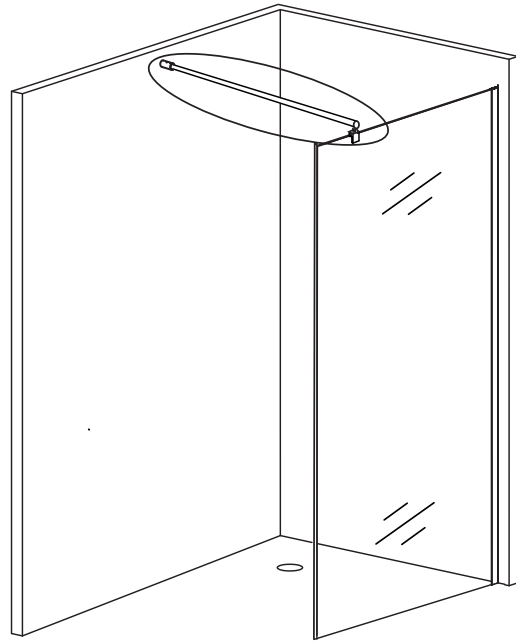
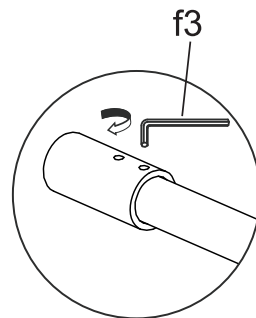
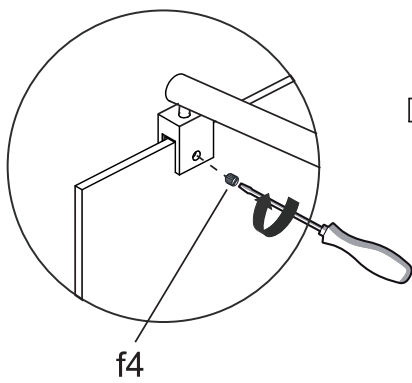
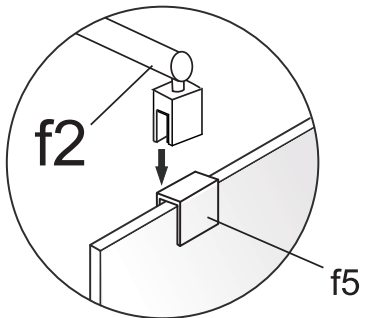
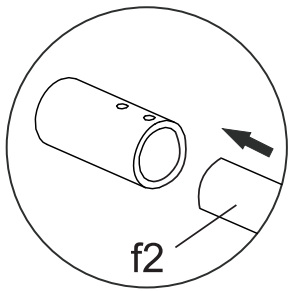
x1



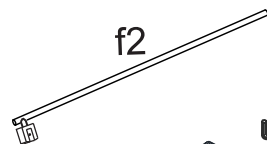
C1



6



F x1



f5

f4

f3

7

