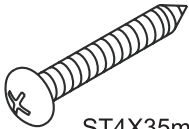
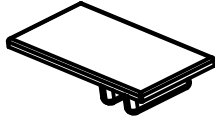
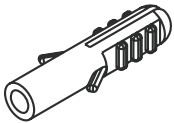


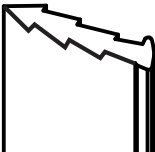
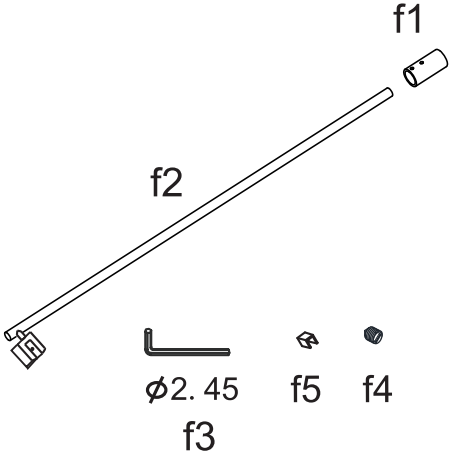
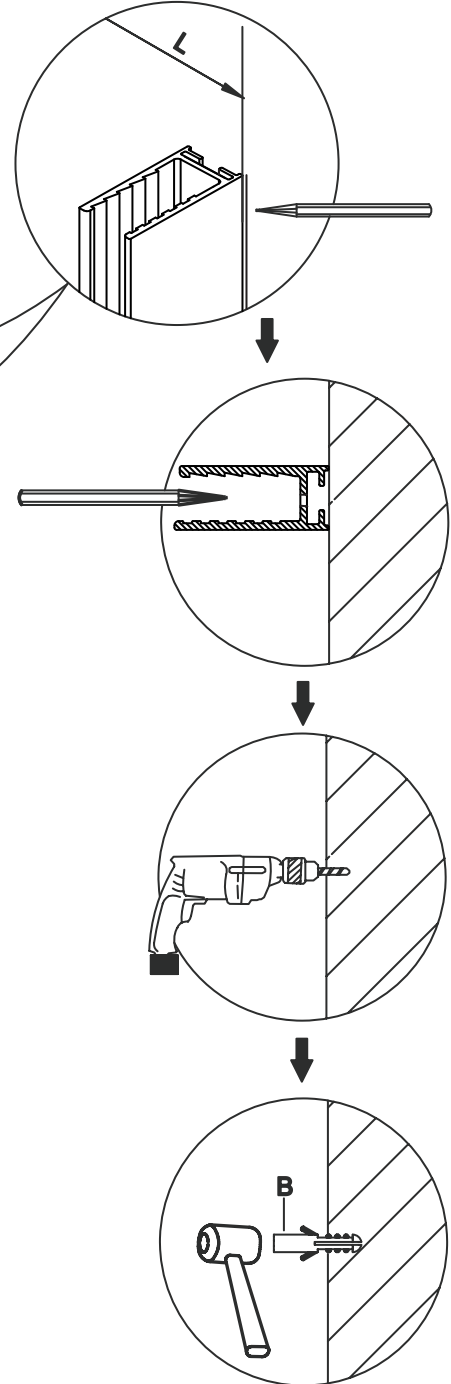
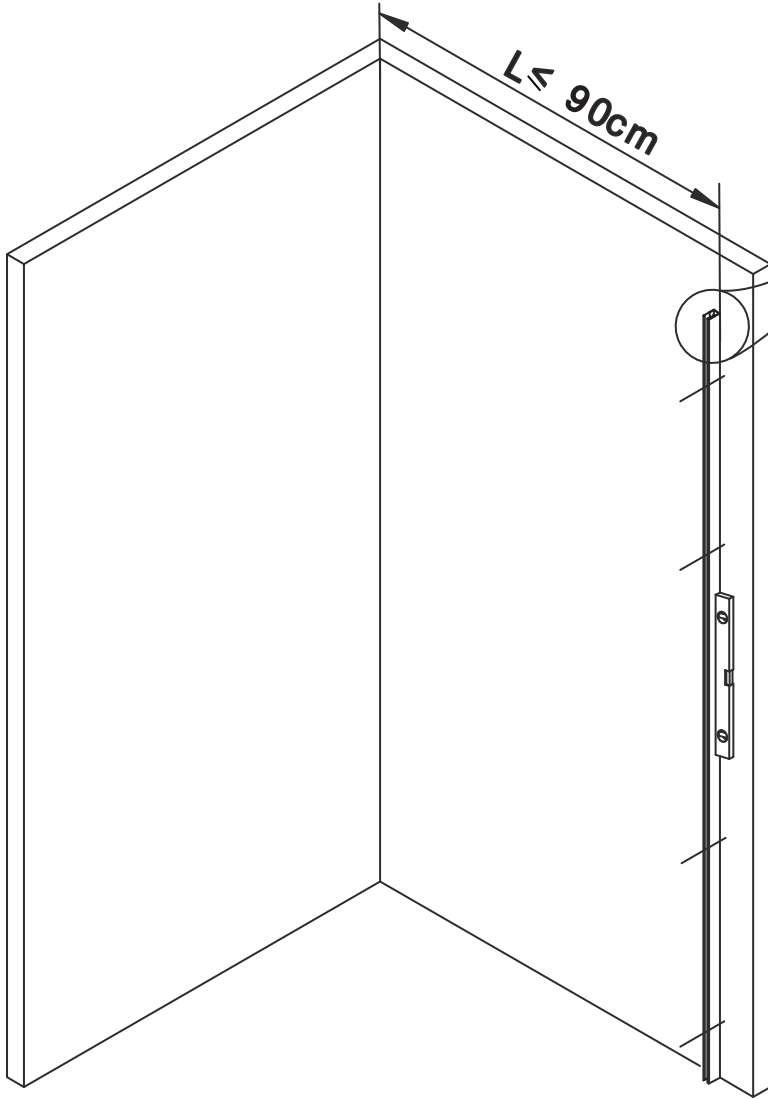
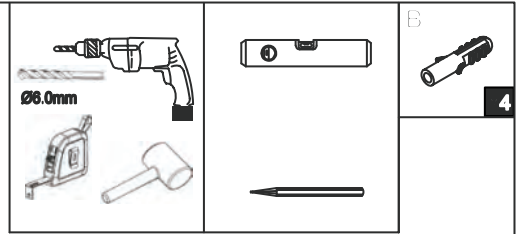
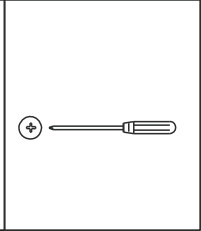
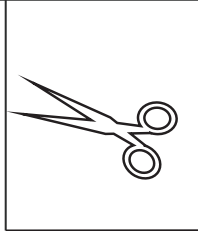


A	 <p>ST4X35mm</p>	x4	G		x1
B		x5	H		x1
C1	 <p>ST4x30mm</p>	x1			
C2		x1			
<p>F x1</p>  <p> $\varnothing 2.45$ f5 f4 f3 </p>					

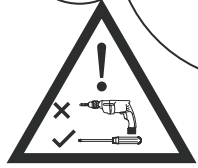
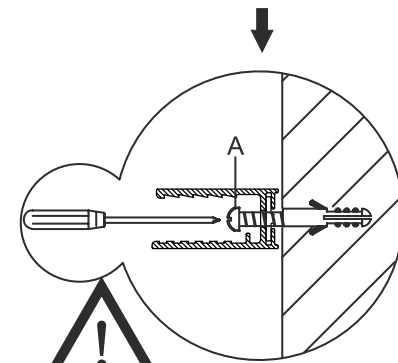
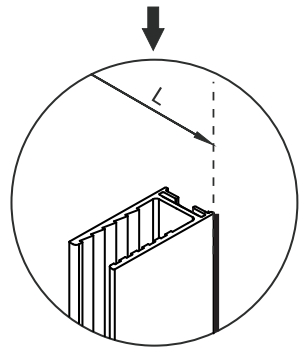
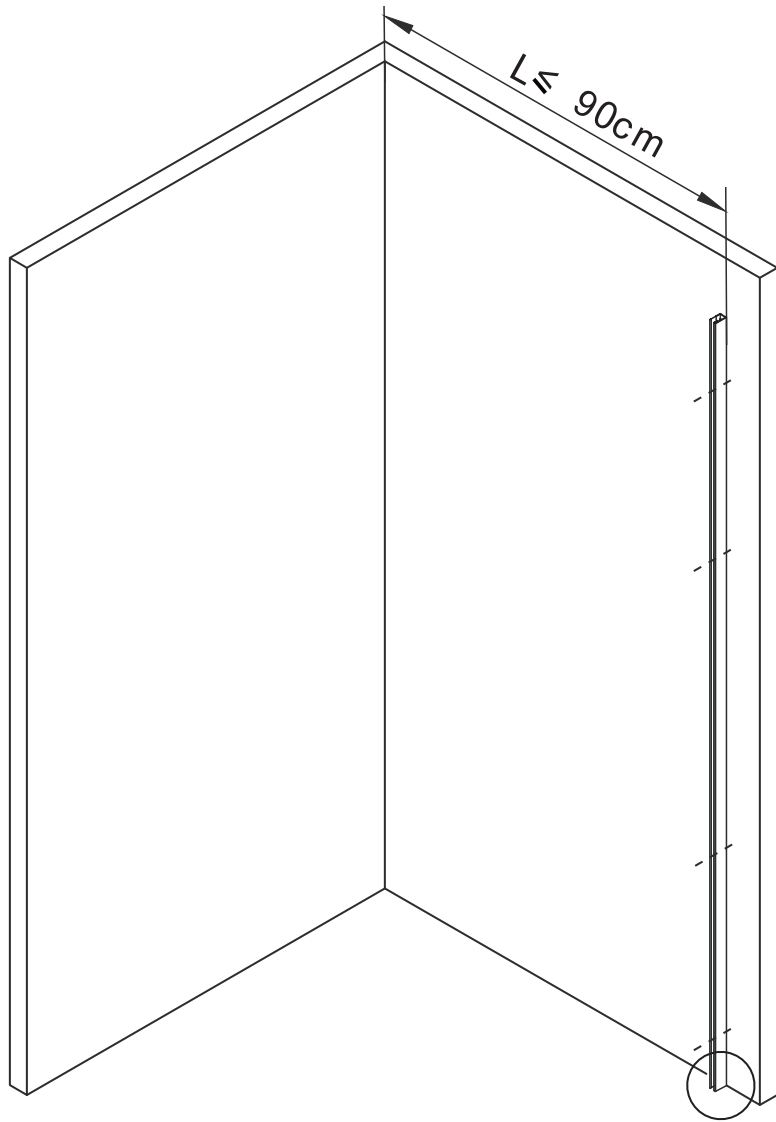
1

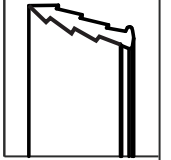


2

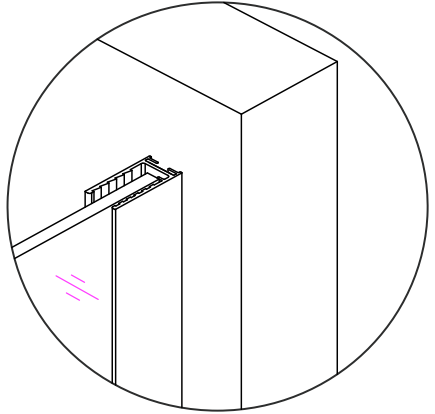
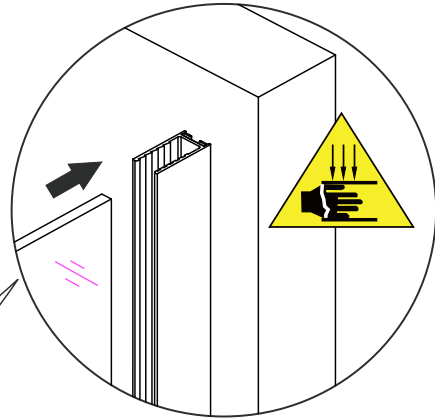
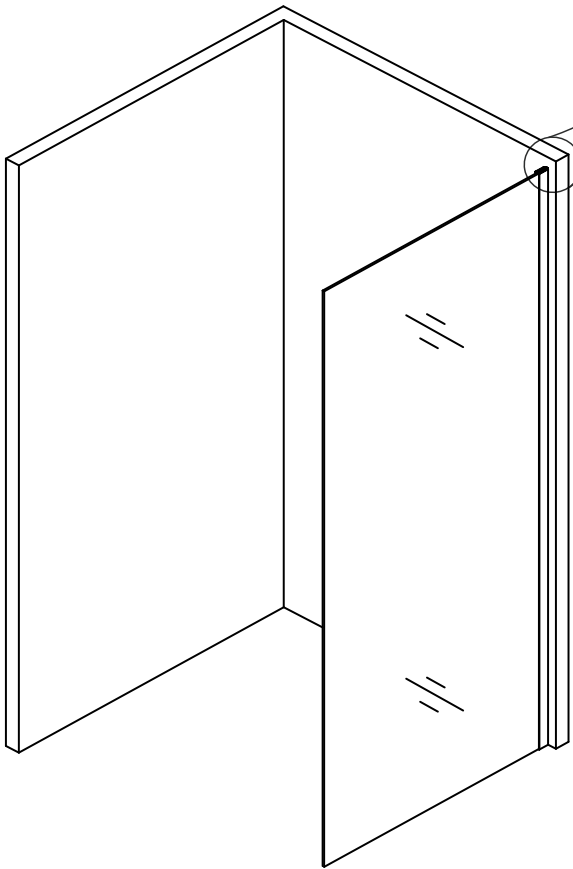


A
ST4X35mm X4

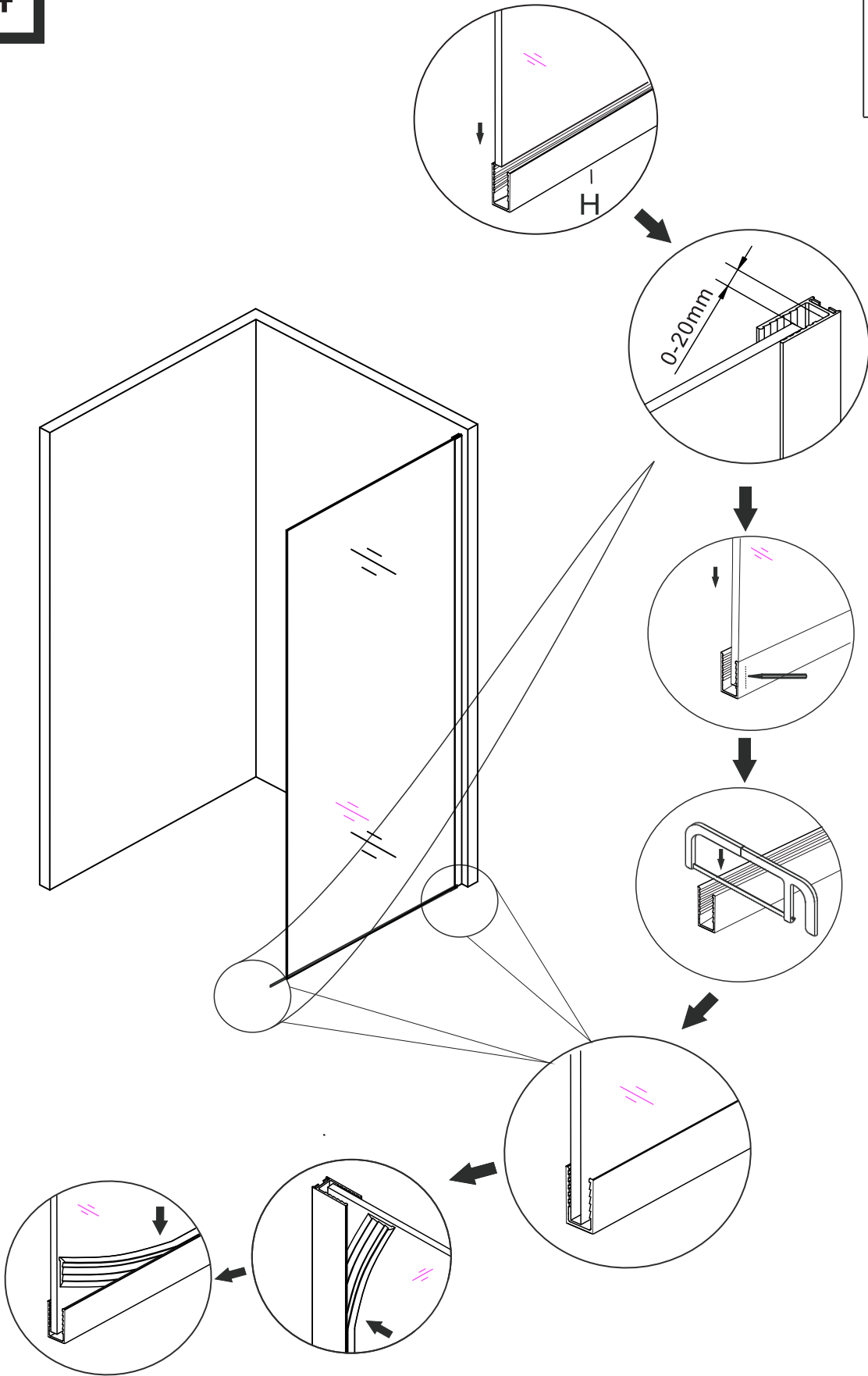
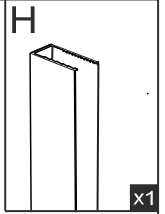




3



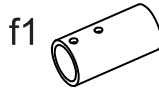
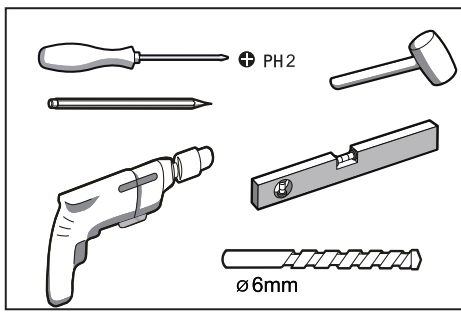
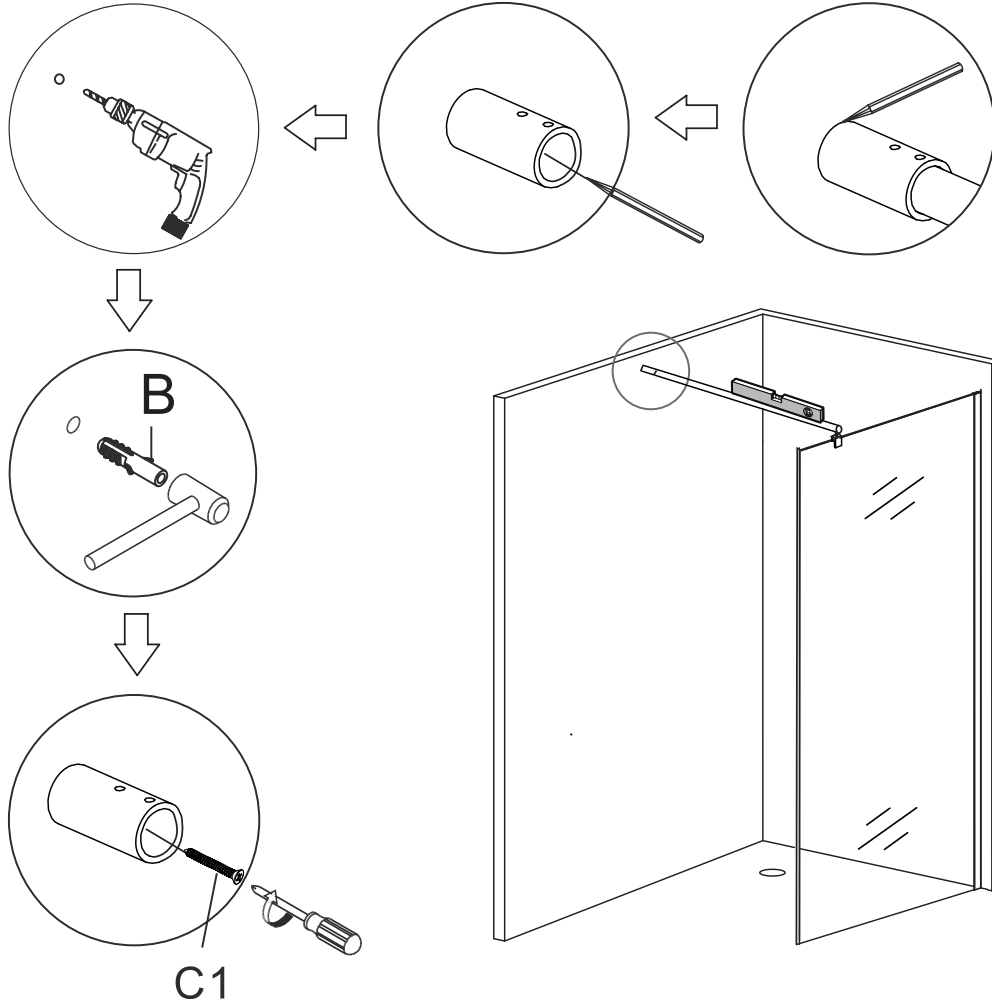
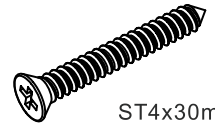
4



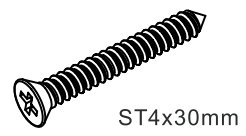
5

C1

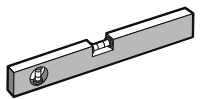
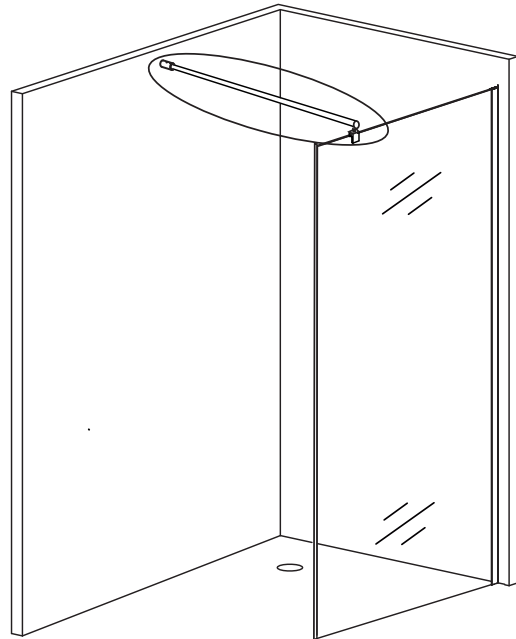
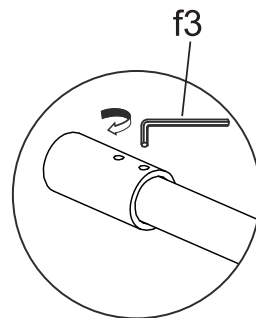
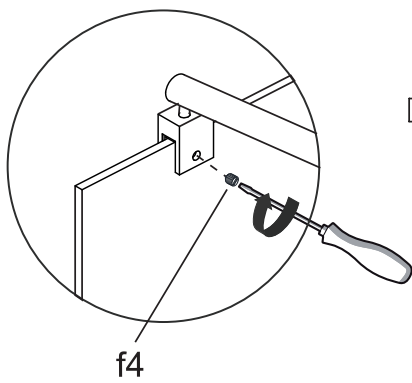
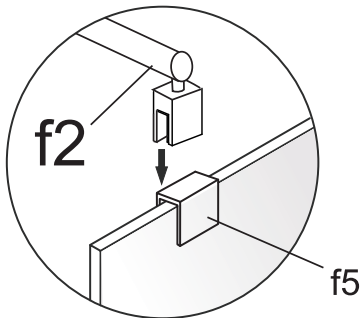
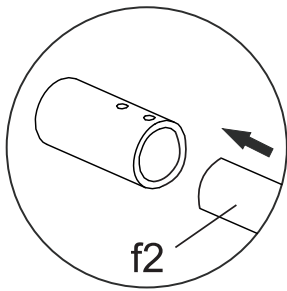
x1



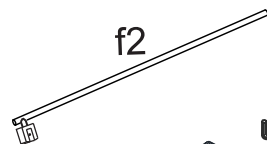
C1



6



F x1

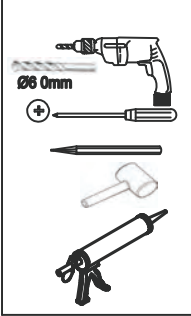


f5

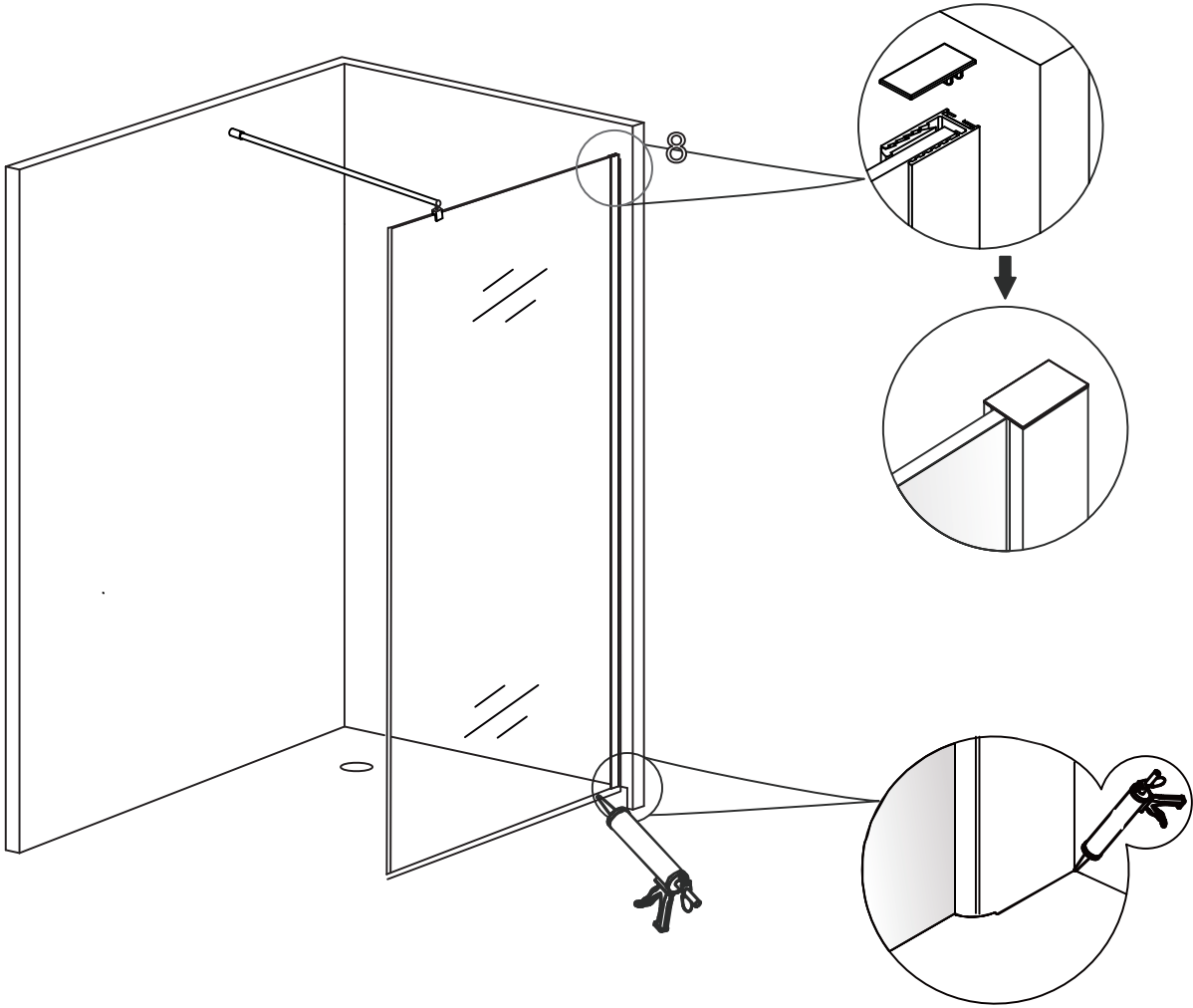
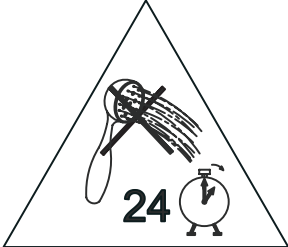
f4

f3

7



G
1

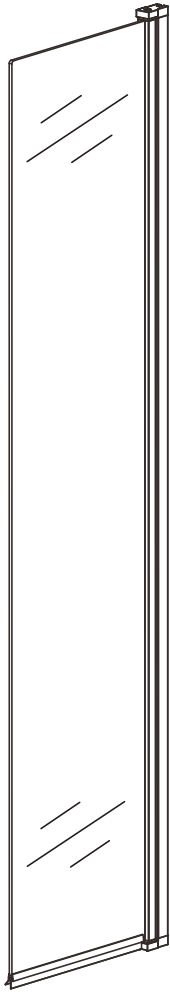


PARETINA

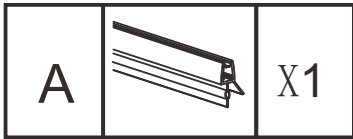
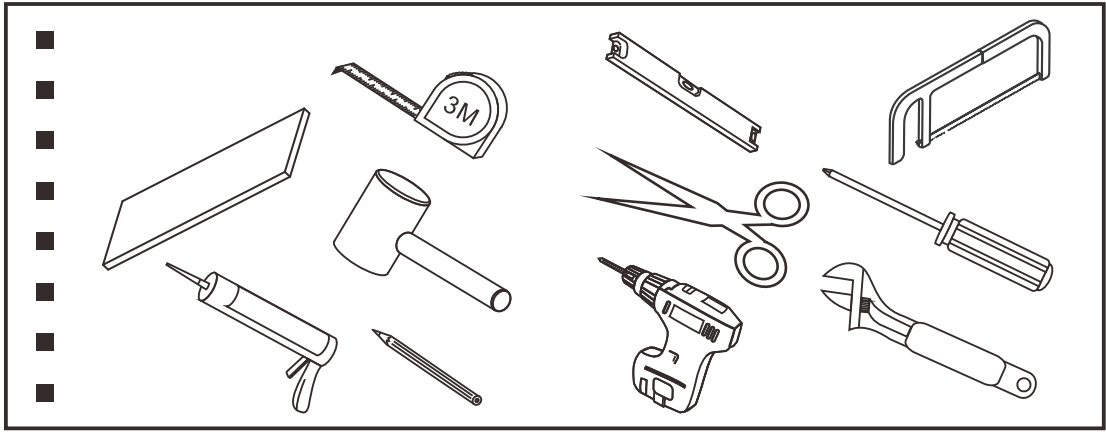


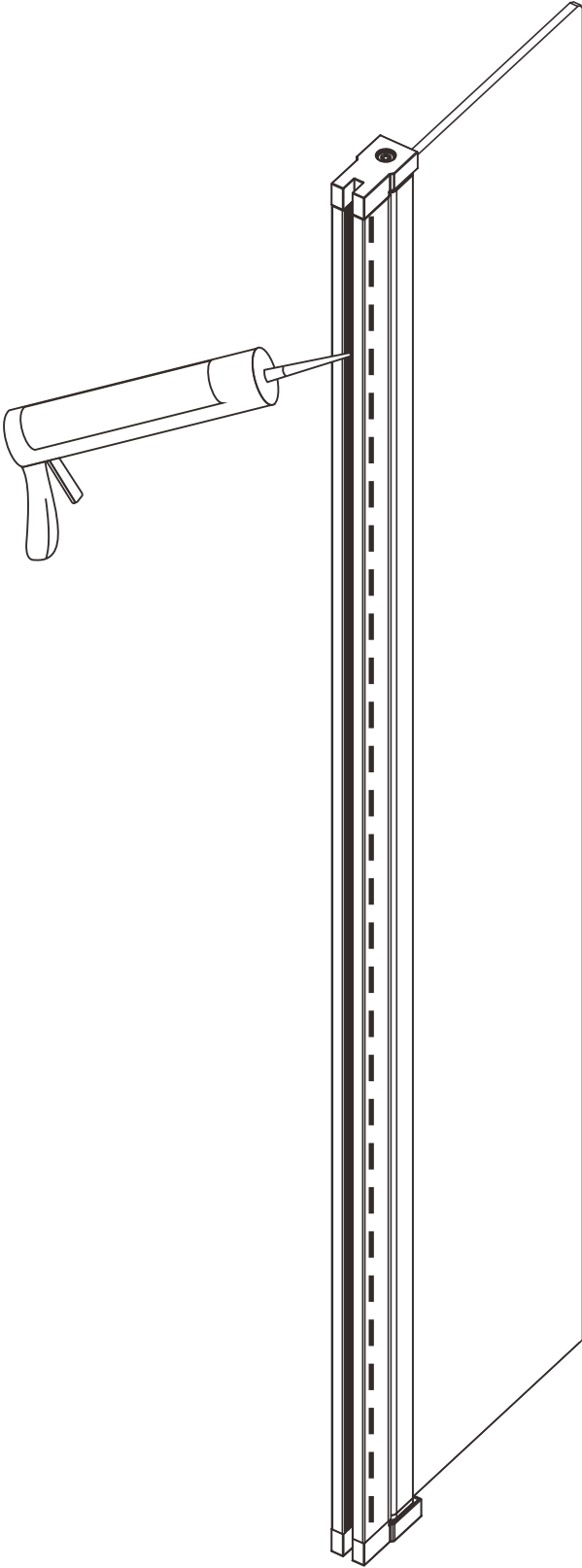
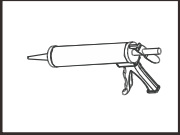
MANUALE DI INSTALLAZIONE



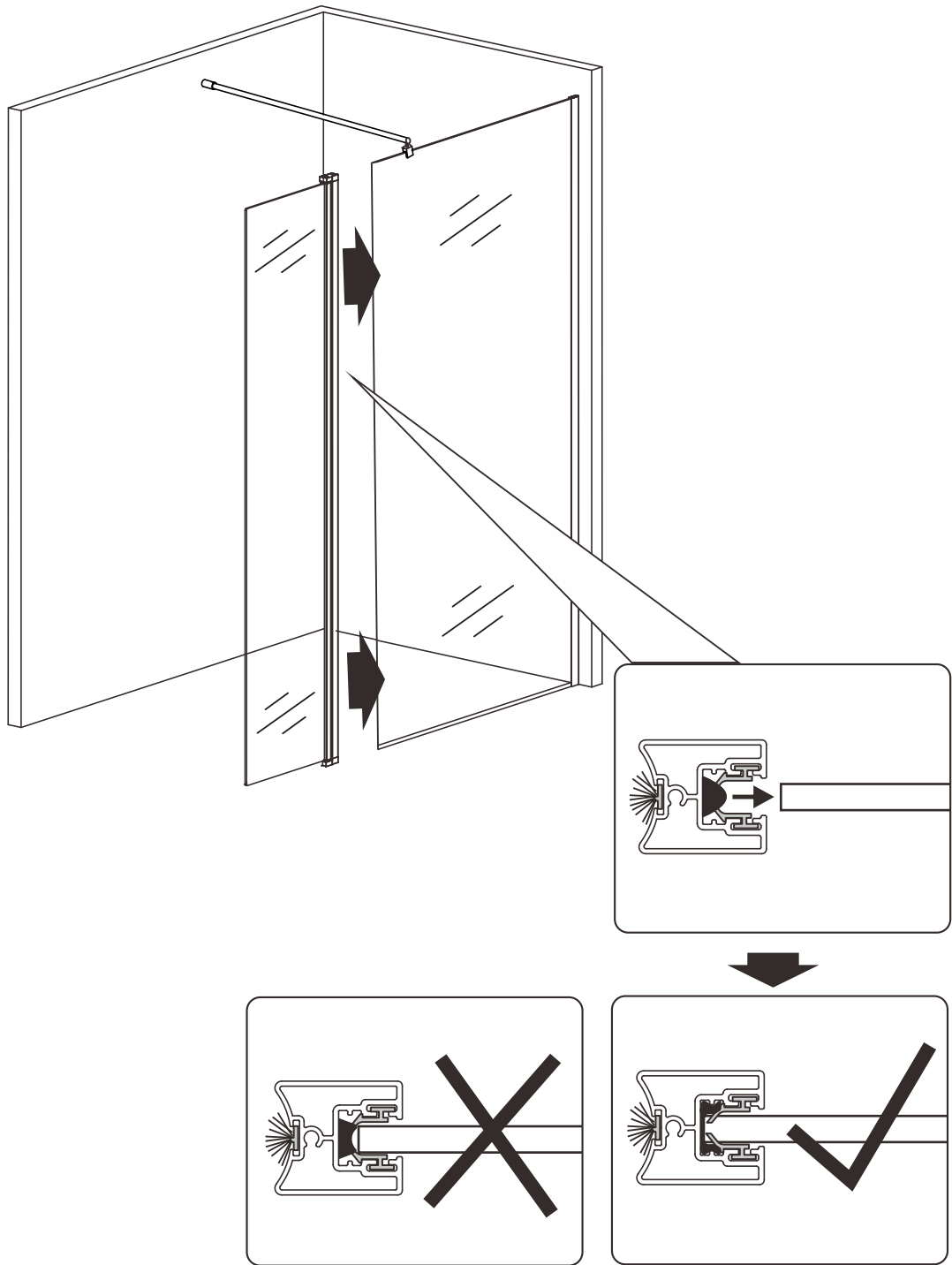
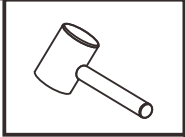


1

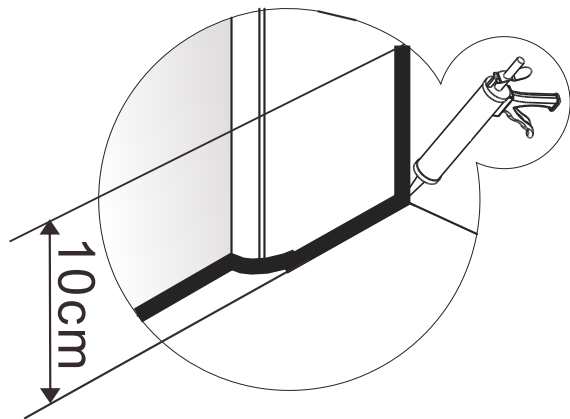
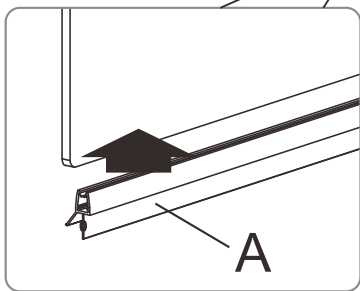
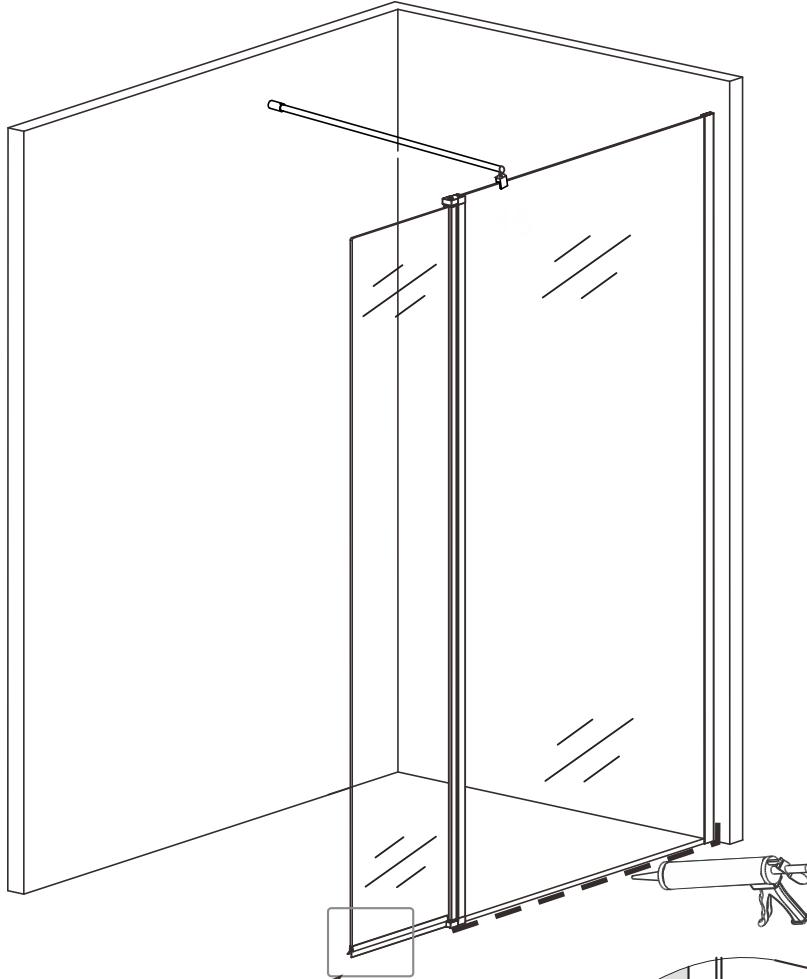
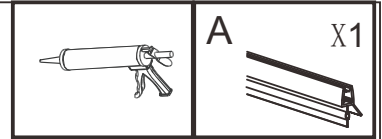




3



4



5